

10-6X Series Tie-Down

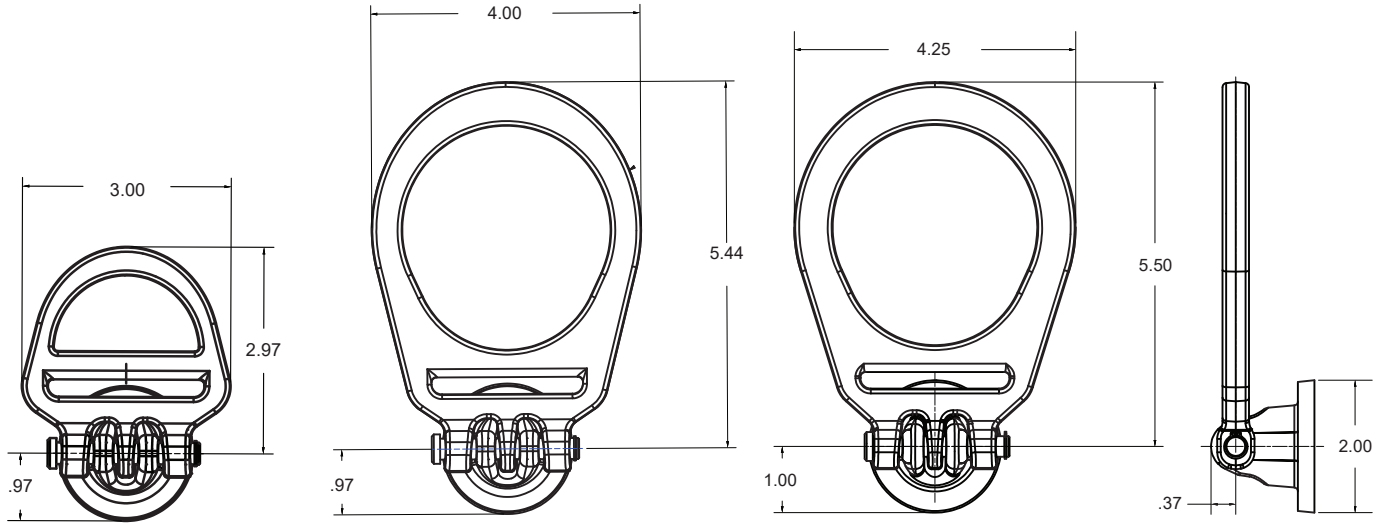
Steel construction
Separable ring & collar assembly
Available in various finishes
Available in light, medium & heavy duty
Recommended to be used with steel backing plate



10-61

10-62

10-63



Utility Backing Plates

Steel construction
Used with 10-6X tie-downs
Available stamped or forged
Available in various sizes
Available in various finishes



Utility Backing Plates

